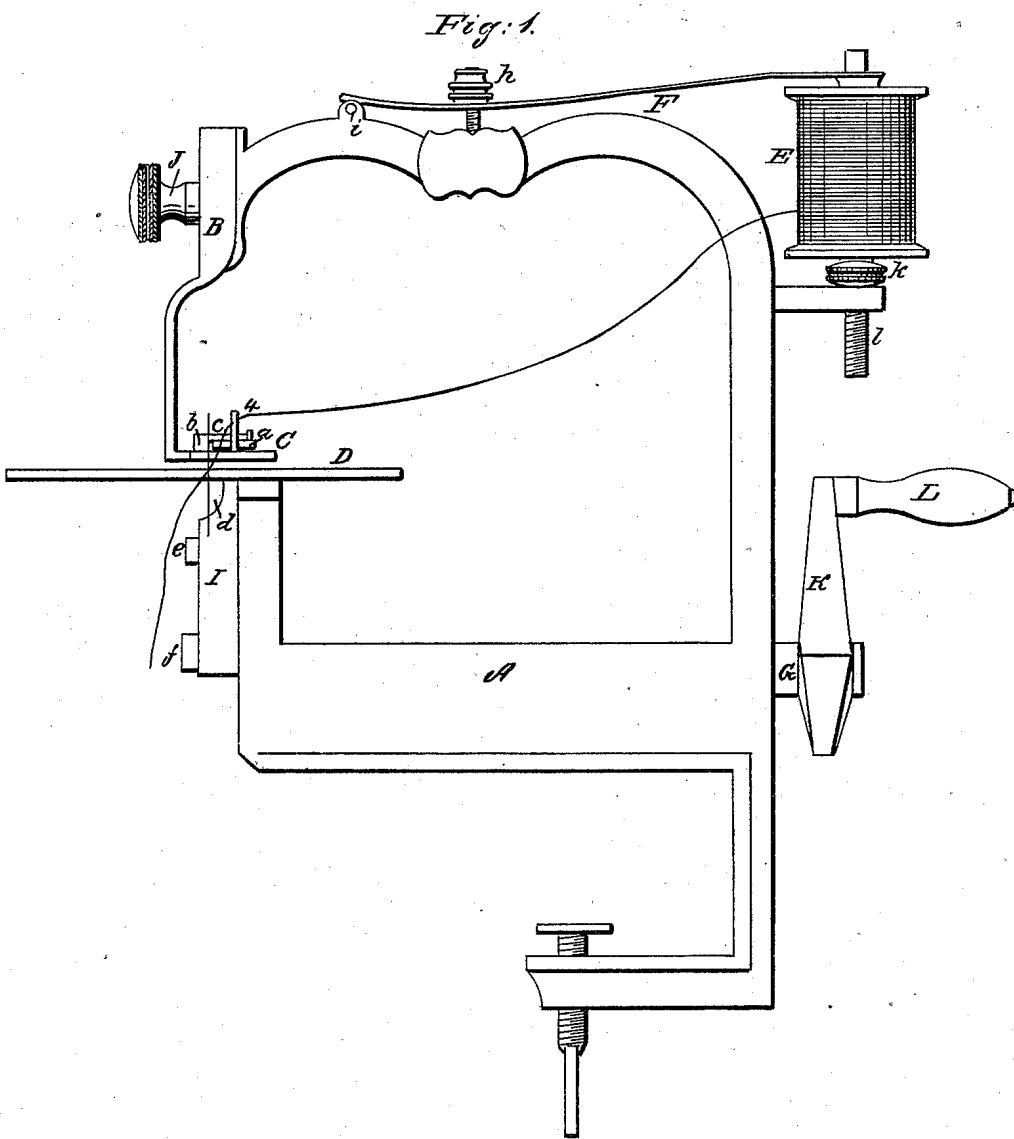


T. D. JACKSON.  
Sewing Machine.

No. 21,234.

Patented Aug. 17, 1858.



T. D. JACKSON.  
Sewing Machine.

2 Sheets—Sheet 2.

No. 21,234.

Patented Aug. 17, 1858.

Fig: 3.

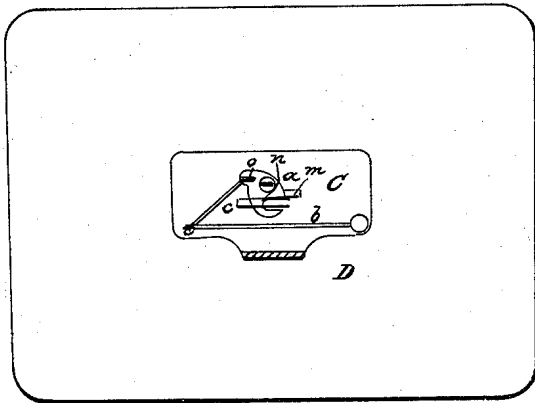


Fig: 2.

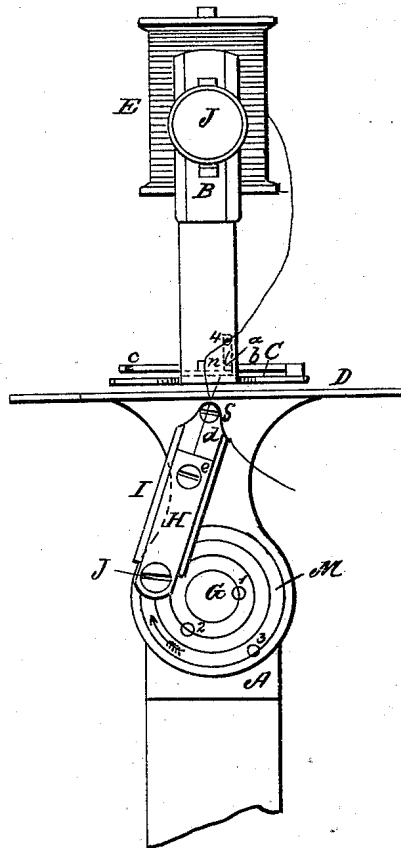


Fig: 4.

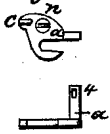
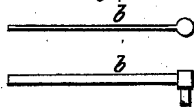


Fig: 5.



# UNITED STATES PATENT OFFICE.

T. D. JACKSON, OF NEW YORK, N. Y., ASSIGNOR TO JOS. W. BARTLETT,  
OF SAME PLACE.

## IMPROVEMENT IN SEWING-MACHINES.

Specification forming part of Letters Patent No. 21,234, dated August 17, 1858.

*To all whom it may concern:*

Be it known that I, TIMOTHY D. JACKSON, of the city, county, and State of New York, have invented a new and useful Improvement in Sewing-Machines; and I do hereby declare the following to be a full, clear, and exact description thereof, reference being had to the accompanying drawings, figures, and letters of reference thereon, making part of this specification.

Of the said drawings, Figure 1 denotes a side elevation of my improved sewing-machine. Fig. 2 is a front elevation. Fig. 3 shows the plate cloth-holder and thread-guide, removed from the machine. Fig. 4 shows the thread-guide in detail; Fig. 5, the spring for operating the backward motion of the thread-guide.

Similar letters of reference indicate like parts in all the drawings.

My machine is of the kind that performs the operation of sewing by means of a single thread, making the tambour or chain stitch, such machines being in general use.

In all machines of this character the great desideratum is to prevent the dropping of stitches and consequent injury to the seam arising therefrom.

To this end the nature of my invention consists in the employment and use of a thread-guide so constructed and arranged that it may be operated entirely by the needle and a spring, and in combination with a hooked or barbed needle insure the taking of every stitch, and thereby produce a simple and effectual tambour-stitch sewing-machine.

To enable others skilled in the art to make and use my invention, I will proceed to describe its construction and operation.

A represents a metallic frame, cast in a single piece, so as to form the arched arm, (mounted by the adjustable cloth-holding bar B,) and so arranged that it may readily be clamped to a table by means of a screw, as plainly indicated in Figs. 1 and 2. C is the cloth-holder. D is the table for supporting the work. E is the spool supplying the thread. F is a spring having its fulcrum at *i*, and, operating by the screw *h* and cones *j* and *k* on the spool-spindle *l*, produces the tension on the thread, as plainly shown in Fig. 1. G is the shaft,

having secured at one end a wheel, K, and crank L, as a means of propulsion, while the other is provided with a wheel, M, properly secured thereon, and by means of a screw, *f*, connecting and working the needle-stock H, as shown in Fig. 2. This needle-stock has its bearings and slides in an oscillating plate, I, having its fulcrum at *g*. To the cloth-holding plate C (and which is adjusted to the material to be sewed by the set-screw J) is secured, by a proper fulcrum at *n*, the thread-guide *a*, which is operated entirely by the hooked or barbed needle *d* and springs *c* and *b*, which are plainly shown in all the figures.

Operation: The cloth being adjusted to the table D by the cloth-holder C, and held firmly by the screw J, and motion being given the crank-shaft G in the direction of the arrow, Fig. 2, causes the needle *d* to pierce the goods (the plate being slotted for this purpose) from below, and as it oscillates takes with unerring certainty the thread which is passed through the eye of the thread-guide 4, Figs. 1 and 2, and draws it in its return movement, being held to the hooked needle by the guide *a* until the needle leaves the goods, when the thread-guide *a*, by the action of the springs *c* and *b*, comes into position, and is held by the pin *m* in the cloth-holder for another stitch, and the needle returning through the loop thus formed into the cloth and repeating the operation produces sewing. The feeding of the material is effected by the oscillating of the needle during the formation of each stitch.

In the wheel M, which works the needle-stock, there are a series of holes, 1 2 3, all being of different relative positions to the center, and to change the feed or length of stitch is only necessary to change the position of the needle-stock to or from the center of the wheel M, which is done by the screw *f*. The needle is secured in the stock by the set-screw *e*, and must be adjusted for thick and thin material, so as to insure the taking of the thread for the stitch.

Having thus described my improved sewing-machine, I will state what I claim and desire to secure by Letters Patent.

I am aware that thread-guides are used in single-thread machines to convey the thread across the path of the needle, which receive

their movements from mechanism other than the needle, an example of which may be found in the patent of O. L. Reynolds, May 14, 1850, and I therefore disclaim all such; but

I claim—

A swinging thread-guide attached to the cloth-presser and operated by and in combination with an oscillating hooked or barbed

needle constructed substantially as described, whereby I am enabled to secure the taking of every stitch and render a single-thread machine effectual, as set forth and specified.

TIMOTHY D. JACKSON.

Witnesses:

JOSEPH W. BARTLETT,  
C. A. DURGEN.